

NELSON®



RESIDENTIAL Valves

Nelson 9000 series valves offer models ideal for all residential applications. Available in either 1" NPT, BSP or slip versions. All models feature a PVC body and bonnet, a fully encapsulated solenoid, and a fiber reinforced diaphragm captured in the bonnet (same diaphragm used in Nelson's 7900 series 1" valves). With the variety of options available, the 9000 series valves are a perfect choice for any and all residential systems.

9001, 9002, 9003 Globe

- **Flow range:** Less than 1-30 gpm
- **Threading:** NPT (9001); Slip (9002); BSP (9003)
- **Flow control:** NO
- **Size:** 4½"L x 3⅞"W x 5⅛"H
- 20 per box

9011, 9012, 9013 Globe

- **Flow range:** Less than 1-30 gpm
- **Threading:** NPT (9011); Slip (9012); BSP (9013)
- **Flow control:** YES
- **Size:** 4½"L x 3⅞"W x 5⅛"H
- 20 per box

9005, 9015 Angle

- **Flow range:** Less than 1-30 gpm
- **Threading:** NPT
- **Flow control:** NO (9005); YES (9015)
- **Size:** 3¾"L x 3⅞"W x 6¼"H
- 20 per box

1"

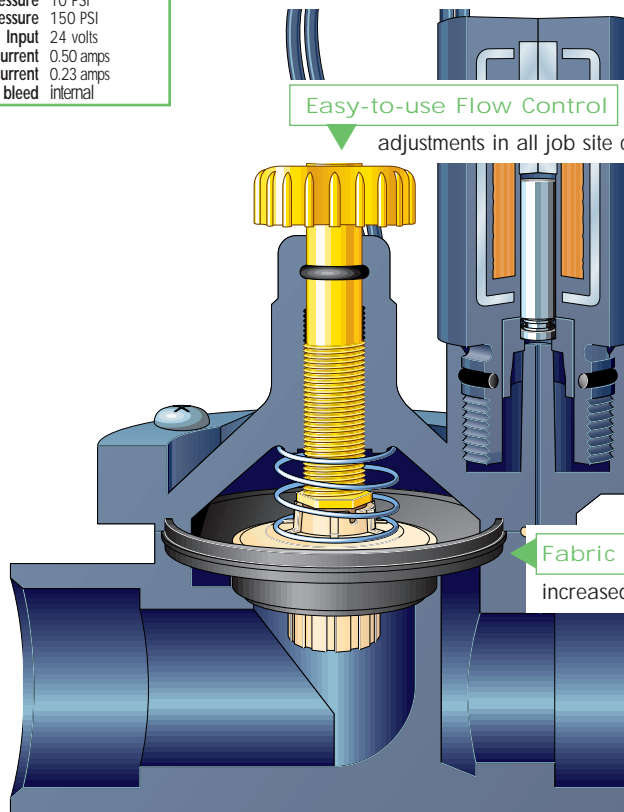
RESIDENTIAL Valves

-features

Simple, proven design has few moving parts

9000 series

Minimum pressure 10 PSI
 Maximum pressure 150 PSI
 Input 24 volts
 Inrush current 0.50 amps
 Holding current 0.23 amps
 Manual bleed Internal



Easy-to-use Flow Control allows tailored adjustments in all job site conditions

Fully encapsulated solenoid with a stainless steel plunger

Molded in solenoid seat for tighter tolerance parts

Manual internal bleed is easy to operate – just twist the solenoid

Fabric reinforced diaphragm for increased durability

High grade PVC makes solvent welding an ease with slip configurations

Six stainless steel phillips head screws

Directly compatible with SoloRain™ series of battery-operated actuators

5 year warranty on materials and workmanship

9001 & 9002 & 9003 Globe Valve

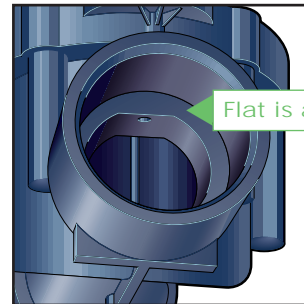
Flow	Pressure Loss	Flow	Pressure Loss	Flow	Pressure Loss
GPM	PSI	L/min	kPa	m ³ /hr	BAR
1	4.0	3.8	28	0.23	0.3
5	2.5	18.9	17	1.14	0.2
10	2.0	37.9	14	2.27	0.1
15	2.5	56.8	17	3.41	0.2
20	3.5	75.7	24	4.54	0.2
25	4.5	94.6	31	5.68	0.3
30	6.5	113.6	45	6.81	0.5

9011 & 9012 & 9013 Globe Valve

Flow	Pressure Loss	Flow	Pressure Loss	Flow	Pressure Loss
GPM	PSI	L/min	kPa	m ³ /hr	BAR
1	4.0	3.8	28	0.23	0.3
5	2.5	18.9	17	1.14	0.2
10	2.0	37.9	14	2.27	0.1
15	2.5	56.8	17	3.41	0.2
20	3.5	75.7	24	4.54	0.2
25	4.5	94.6	31	5.68	0.3
30	6.5	113.6	45	6.81	0.5

9005 & 9015 Angle Valve

Flow	Pressure Loss	Flow	Pressure Loss	Flow	Pressure Loss
GPM	PSI	L/min	kPa	m ³ /hr	BAR
1	4.0	3.8	28	0.23	0.3
5	2.5	18.9	17	1.14	0.2
10	2.0	37.9	14	2.27	0.1
15	2.5	56.8	17	3.41	0.2
20	3.0	75.7	21	4.54	0.2
25	4.0	94.6	28	5.68	0.3
30	5.5	113.6	38	6.81	0.4



Flat is added on all slip versions to force glue away from solenoid port, to prevent clogging